

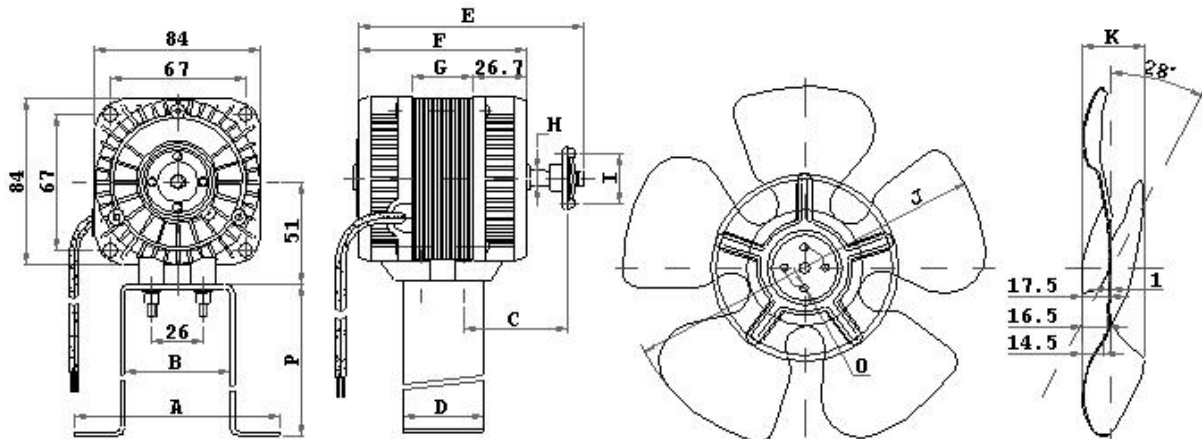
Shaded Pole Motor TW-82 series

Output Power: 3 ~80.0 W (Approx)

FEATURES:



- ※ A metal strut base is available to be attached to the motor.
- ※ A metal propeller is available for the motor.
- ※ Stator height can be any from 10mm to 50mm to reach different power.
- ※ Stator surface can be painted for anti humidity.
- ※ Motor rotation direction can be CW or CCW.



ELECTRICAL SPECIFICATION CHART: (The following specifications can be changed as your requirements)

Model	Rated				Dimensions												
	Output	Voltage	Freq.	Speed	mm												
	W	VAC	Hz	RPM	A	B	C	D	E	F	G	H	I	J	K	O	P
TW-8213	5	100-120	50/60	≥1300	106.0	46.0	49.4	24.0	92.0	66.4	13	Ø6.0	Ø25.4	Ø200	33	Ø3.5	72
	5	220-240	50/60	≥1300	106.0	46.0	49.4	24.0	92.0	66.4	13	Ø6.0	Ø25.4	Ø200	33	Ø3.5	72
TW-8213	7	220-240	50/60	≥1300	106.0	46.0	49.4	24.0	102.8	68.4	15	Ø6.0	Ø25.4	Ø200	33	Ø3.5	72
TW-8220	10	100-120	50/60	≥1300	106.0	46.0	53.0	24.0	102.8	73.4	20	Ø7.8	Ø26.0	Ø230	40	Ø5.0	84
	10	220-240	50/60	≥1300	106.0	46.0	53.0	24.0	111.8	73.4	20	Ø7.8	Ø26.0	Ø230	40	Ø5.0	84
TW-8230	16	100-120	50/60	≥1300	101.5	52.5	52.0	39.5	111.8	83.4	30	Ø7.8	Ø26.0	Ø250	43	Ø5.0	109